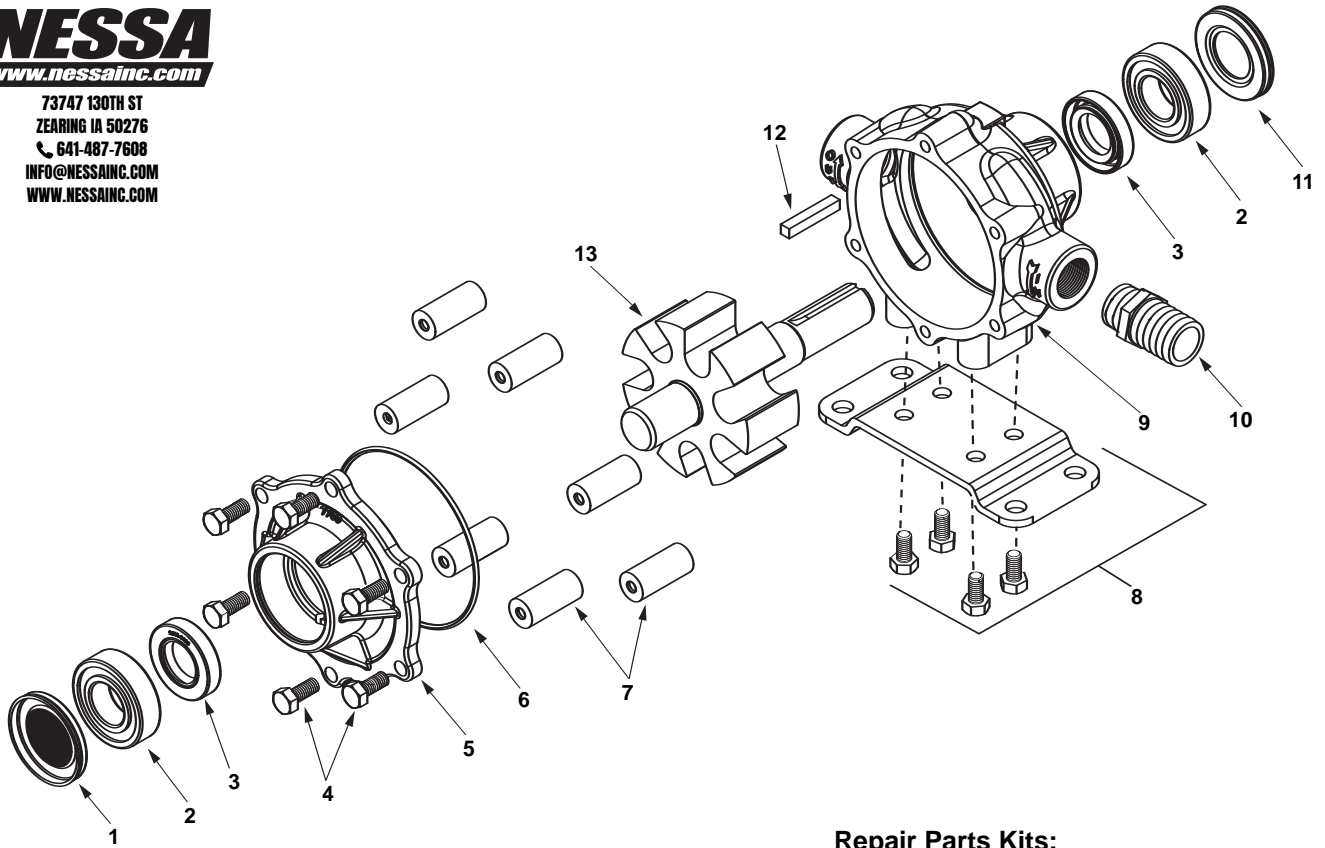




73747 130TH ST  
 ZEARING IA 50276  
 641-487-7608  
 INFO@NESSAINC.COM  
 WWW.NESSAINC.COM



**IMPORTANT:**

When ordering parts, give PART NUMBER and PART DESCRIPTION. Reference Numbers are used ONLY to point out parts in the drawing and are NOT to be used as ordering numbers.

**Repair Parts Kits:**

**No. 3430-0384** Consists of (8) Ref. 7 Super Rollers, (1) Ref. 6 O-ring, and (2) Ref. 3 Viton seals

**No. 3430-0167** Consists of (8) Ref. 7 Polypropylene Rollers, (1) Ref. 6 O-ring, and (2) Ref. 3 Viton seals

Ref. No.	Qty. Req'd.	Part Number	Description
1	1	2300-0020	Bearing Cover
2	2	2008-0001	Sealed Ball Bearing
3	2	2112-0003	Viton Seal (Standard)
3	2	2112-0001	Buna-N Seal (Optional)
4	6	2210-0004	Bolts
5	1	0200-7700C	Endplate (Cast Iron) with Seal
5	1	0200-7700N	Endplate (Ni-Resist) with Seal
5	1	0200-7700X	Endplate (SilverCast) with Seal
6	1	1720-0014	O-ring Gasket for Endplate
7	8	1005-0004	Super Roller (Standard)
7	8	1002-0004	Polypropylene Roller (Optional)
7	8	1055-0004	Teflon Roller (Optional)
8	1 kit	3420-0010	Base Kit - <b>Sold Separately</b> Includes: (1) Base and (4) Bolts

Ref. No.	Qty. Req'd.	Part Number	Description
9	1	0100-7700C	Body (Cast Iron) with Seal
9	1	0100-7700N	Body (Ni-Resist) with Seal
9	1	0100-7700X	Body (SilverCast) with Seal
10	1	2404-0052	1" Hose Barb
11	1	2300-0022	Shaft Bearing Cover
12	1	1610-0005	Key
13	1	0300-7700C	Rotor Assembly (Cast Iron)
13	1	0300-7700N	Rotor Assembly (Ni-Resist)
13	1	0300-7700X	Rotor Assembly (SilverCast)
13	1	0301-7700C	Rotor Assembly (Cast Iron) <b>Rev. Rot.</b>
13	1	0301-7700N	Rotor Assembly (Ni-Resist) <b>Rev. Rot.</b>
13	1	0301-7700X	Rotor Assembly (SilverCast) <b>Rev.Rot.</b>