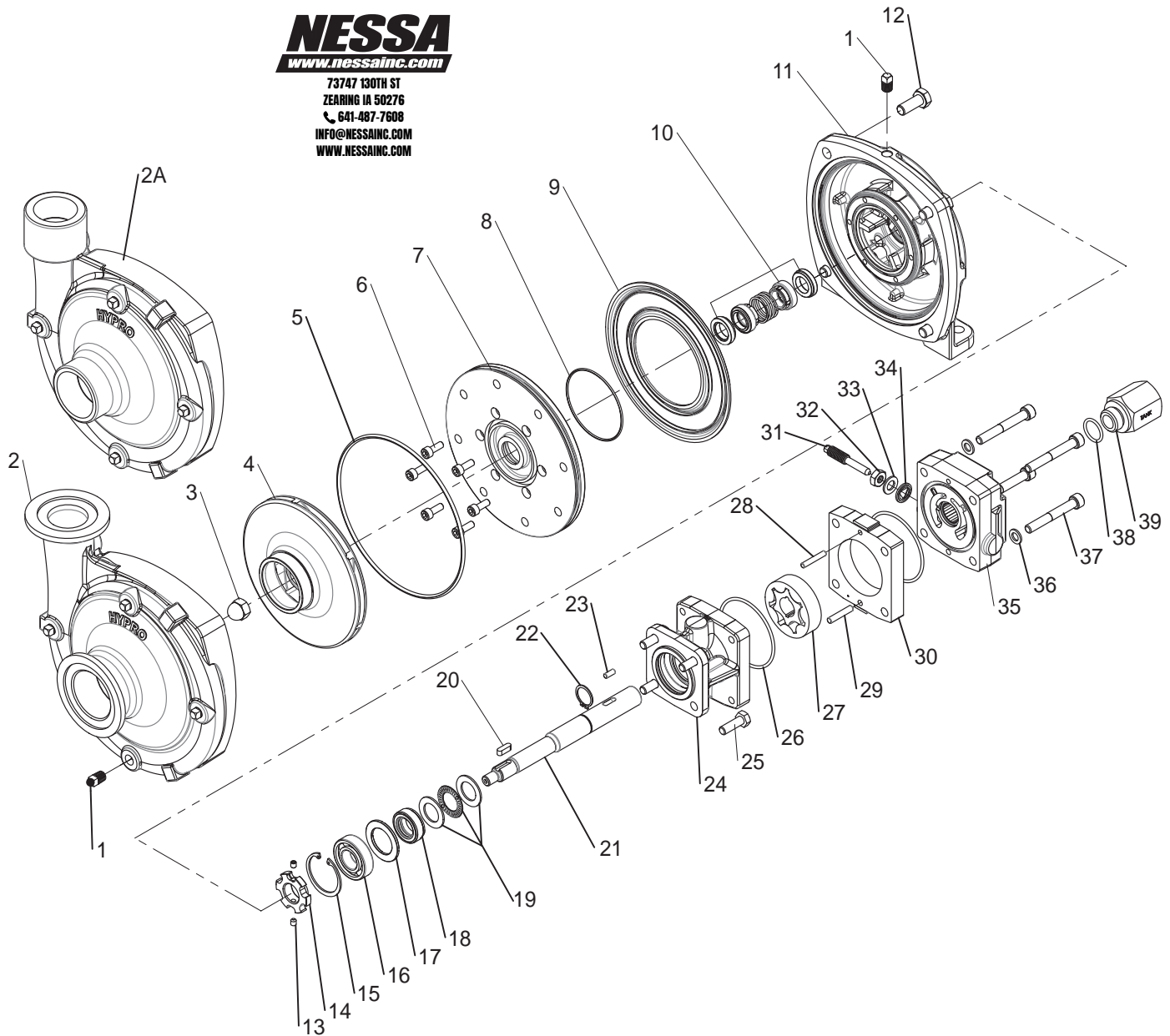


## Replacement Parts

The following drawings show the pumps and their replacement parts. **Only genuine replacement parts should be used. Failure to follow this warning can result in damage to property, serious injury or death.** If the pump malfunctions or is defective, it should be sent back to Pentair for service.

### Model 9313 Part Illustrations and Repair Kits

Includes Models 9313C(S) -M04, -M05, -M05Y, -M08, -M08Y, M10, -M10Y, and -M16  
9313CU(SU) -M04, -M05, -M05Y, -M08, -M08Y, M10, and -M16



**Pump Repair Kit No. 3430-0948**

Contains: O-rings (Ref. 5 & 8), mechanical seal (Ref. 10), Membrane (Ref. 9), Pump Chamber Fluid, and seal installation tool

**Pump Repair Kit No. 3430-0947**

Contains: same as 3430-0948, except installation tool not included.

**Parts Kit No. 3430-0949**

Contains: One each ball bearing (Ref. 16), motor shaft seal (Ref. 18), thread seal gasket (Ref. 34), washer (Ref. 33), two each motor housing o-rings (Ref. 26), and port adaptor o-ring (Ref. 38)

**Metering Orifice Kit #3430-0187**

Contains: one motor inlet adaptor, adaptor o-ring, three metering orifices, and orifice o-ring.

**NOTE: When ordering parts, give quantity, part number, description and complete model number. Reference numbers are used ONLY to identify parts in the drawing and are NOT to be used as order numbers.**

**Hydraulic Motor Part Nos.**

2500-0402C (M04 models)  
 2500-0501C (M05Y models)  
 2500-0502C (M05 models)  
 2500-0801C (M08Y models)  
 2500-0802C (M08 models)  
 2500-1001C (M10Y models)  
 2500-1002C (M10 models)  
 2500-1602C (M16 models)

Replacement Chamber Fluid #2160-0096

Contains: 23 oz of chamber fluid, pre-mixed.

Ref. No.	Qty. Req'd.	Part No.	Description
1	5	2406-0016	Drain/Vent Plug (SS)
2	1	0153-9310C	Pump Casing (9313CU)
2	1	0153-9310SM	Pump Casing (9313SU)
2A	1	0151-9310C	Pump Casing (9313C)
2A	1	0151-9310SM	Pump Casing (9313S)
3	1	2253-0015	Impeller Nut
4	1	0400-9313	Impeller
5	1	1720-0292	O-ring, Large
6	6	2220-0124	Socket Head Cap Screw
7	1	0751-9310	Plate, Front Chamber
8	1	1720-0294	O-ring, Small
9	1	2535-0015	Membrane
10	1	2120-0069	Mechanical Seal, Double (Silicon Carbide)
11	1	0752-9310C	Mounting Flange
12	4	2210-0194	Hex Head Cap Screw
13	2	2230-0051	Socket Set Screw
14	1	1410-0137	Tone Wheel
15	1	1820-0039	Retaining Ring
16	1	2000-0017	Ball Bearing
17	1	1410-0145	Spacer
18	1	2104-0011	Motor Lip Seal
19	2	2029-0010	Thrust Bearing Assy
20	1	1610-0072	Shaft Key
21	1	0533-2511	Shaft (M04/M05 Motor)
21	1	0533-2510	Shaft (M08/M10 Motor)
21	1	0533-2512	Shaft (M16 Motor)
22	1	1810-0011	Retaining Ring
23	1	1610-0032	Roll Pin (M04/M05 Motor)
23	1	1610-0031	Roll Pin (M08/M10 Motor)
23	1	1610-0055	Roll Pin (M16 Motor)
24	1	0150-2517C	Motor Body (std)
24	1	0150-2515C	Motor Body (Y series case drain motors)

Ref. No.	Qty. Req'd.	Part No.	Description
25	4	2210-0209	Hex Head Cap Screw
26	2	1720-0110	O-ring
27	1	3900-0023	Gerotor (M04 Motor)
27	1	3900-0025	Gerotor (M05 Motor)
27	1	3900-0022	Gerotor (M08 Motor)
27	1	3900-0048	Gerotor (M10 Motor)
27	1	3900-0024	Gerotor (M16 Motor)
28	1	1600-0086	Dowel Pin, Small (M04/M05 Motor)
28	1	1600-0084	Dowel Pin, Small (M08/M10 Motor)
28	1	1600-0085	Dowel Pin, Small (M16 Motor)
29	1	1600-0097	Dowel Pin, Large (M04/M05 Motor)
29	1	1600-0095	Dowel Pin, Large (M08/M10 Motor)
29	1	1600-0096	Dowel Pin, Large (M16 Motor)
30	1	0720-2601	Gerotor Housing (M04 Motor)
30	1	0720-2602	Gerotor Housing (M05 Motor)
30	1	0720-2603	Gerotor Housing (M08 Motor)
30	1	0720-2604	Gerotor Housing (M10 Motor)
30	1	0720-2606	Gerotor Housing (M16 Motor)
31	1	3220-0029	Bypass Screw (Std Motor)
32	1	2250-0038	Lock Nut, Bypass (Std Motor)
33	1	2270-0027	Washer, Bypass (Std Motor)
34	1	1700-0047	Gasket, Bypass Screw (Std Motor)
35	1	0254-2500C2	Motor End Plate (Std Motor)
35	1	0254-2500C3	Motor End Plate (Y series motors, no Bypass)
36	4	2270-0039	Washer
37	4	2210-0207	Socket Head Cap Screw (M04/M05 Motor)
37	4	2220-0135	Socket Head Cap Screw (M08 Motor)
37	4	2210-0204	Socket Head Cap Screw (M10 Motor)
37	4	2210-0208	Socket Head Cap Screw (M16 Motor)
38	1	1720-0262	O-ring, Check valve
39	1	3320-0052A	Motor Check Valve Assy (incl. o-ring)
n/a	1	2160-0096	Seal Chamber Fluid (not shown, pump requires 10.5 oz)